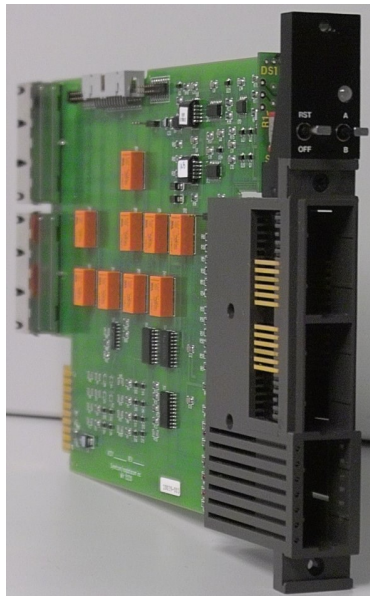




**Mark II Dynaswitch RJ-45  
A/B Switch Module**

- **2 A/B switched ports per switching module**
- **8-Wire RJ-45 Interface supported**
- **Rack Mount Modular Design (4 U high, 16 modules)**
- **Remotely managed via Ethernet or serial port**
- **Available in Patch/Switch or Switching only versions**



**Mark II Dynaswitch®  
RJ-45 A/B Switch Module**

The Dynetcom RJ-45 A/B patch/switch module from NSGDatacom is designed to enable automatic remote control switching between two primary RJ-45 ports (Active Loop) and two alternate RJ-45 ports (Back-up Loop) for the purposes of communication link restoration, system back up, and alternate routing.

The dual port module contains two bank-switched RJ-45 ports per card, each supporting a full compliment of eight electrical circuits. The complete swap-out of a device with two RJ-45 connections (such as a single port router or modem) can, therefore, be accomplished with a single card (see Typical Application diagram on page 2) . Switching can be accomplished locally using a toggle switch on the front of the unit, remotely over a dedicated serial link, or though an IP network (such as the Internet).

Up to 16 modules can be accommodated in a single chassis to allow simultaneous bank-switching of multiple units or ports with the single flick of a switch or a simple mouse click. Multiple chassis can be linked together for larger bank-switched applications.

In common with all the Dynetcom line A/B patch/switch modules, the RJ-45 switching module features latching relays for clean physical-level switching and position retention in the event of power loss.

A patch connection accessible from the front panel allows manual bypass of the switching functions so that cross connections can be quickly and easily made between different units for maintenance, fault diagnosis or network configuration changes. A separate monitor patch is also provided on each card that allows unobtrusive monitoring of data and control lines using common test equipment.

The RJ-45 patch/switch module supports mixing and matching of interfaces on one card to fit custom requirements including Ethernet, T1/E1, RS232/EIA 561, and all Dynetcom CPX switching products that use RJ-45 port connectors.

The RJ-45 module is managed via the new Dynetcom Marc-12 controller through its Ethernet or serial port connection, using HTTP, SNMP, or Telnet. If you are currently using the Marc-10, Marc-11, or Darc controllers, it will also manage the RJ-45 switching module through its serial port connection or Dynabus DB37 connector.

Optionally, a version of the card is available with standard BNC type connectors in place of the RJ-45 connectors.

**Line Activity Scanning (LAS) Option**

With the addition of the Dynetcom Line Activity Scanner (LAS) card option, the RJ-45 A/B patch/switch module can monitor selected circuits for activity and be configured to generate alarms and/or perform an appropriate switching action; e.g. alarm and switch, alarm and email, alarm only, email and switch, etc.

Monitored lines (depending on interface type and pin configuration) are: Data Terminal Ready (DTR), Request to Send (RTS), Clear to Send (CTS), Data Carrier Detect (DCD) and Data Set Ready (DSR) , Transmit Data (TD), Receive Data (RD), and Ring IN (RI).

**Communication solutions from**

**NSGDatacom**

**extend. evolve. innovate.**

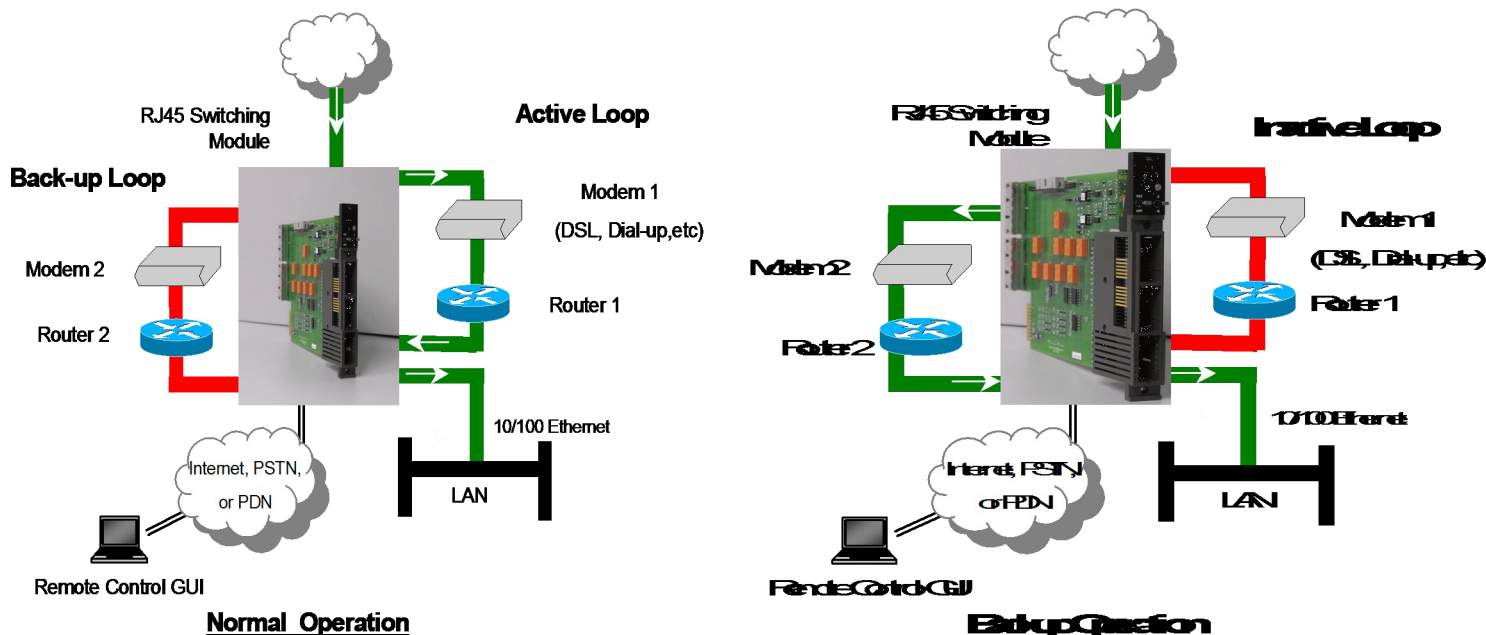


## Mark II Dynaswitch RJ-45 A/B Switch Module

# Mark II Dynaswitch RJ-45 A/B Switch Module

### Typical Application

The RJ-45 patch/switch module is ideal for applications that require a physical back-up for two port devices. The two bank-switched connections on a single module allow it to completely switch over a unit from Active Loop to Back-up Loop with a single action.



### Product Specifications

#### Physical Interfaces

RJ-45 or BNC (Patch/Switching or Switching Card)  
 Ethernet Control Port RJ-45 (Control Card)  
 Serial RS-232 Control Port DB-9 (Control Card)

#### Electrical Interface Supported (Switching Card)

RS-232-D/ITU V.24  
 Dynetcom CPX Sync/Async  
 Ethernet  
 T1/E1/ISDN  
 G.703 (BNC)

#### Selectable Control Signals (requires LAS option) Indicators

A/B Switch Position  
 Alarm  
 RS232 modem signals (optional)  
 Carrier Detect State  
 Transmit Data Receipt

#### Physical

This modules fits into the RJ-45 specific Rack Adaptors for RA-5,6,10, and 11 RJ-45  
 LAS option available on RA-6 and RA-11 RJ-45 Rack Adaptors  
 Redundant power supply available

#### Power Requirements

1A @ 110V, 0.5A @ 230V  
 Auto Sensing Power supply 90V to 250VAC

# NSGDatacom

[www.nsgdata.com](http://www.nsgdata.com)

3859 Centerview Drive, Suite 500  
 Chantilly, VA, 20151-3232 USA  
 Phone: +(1) 703 793 2000  
 Fax: +(1) 703 793 2001

5112 Pegasus Court, Suite X  
 Frederick, MD, 21704 USA  
 Phone: +(1) 301 662 5926  
 Fax: +(1) 301 694 6279

The Brackens, London Road  
 Ascot, Berkshire SL5 8BE, UK  
 Phone: +(44) 1344 893 000  
 Fax: +(44) 1344 891 990